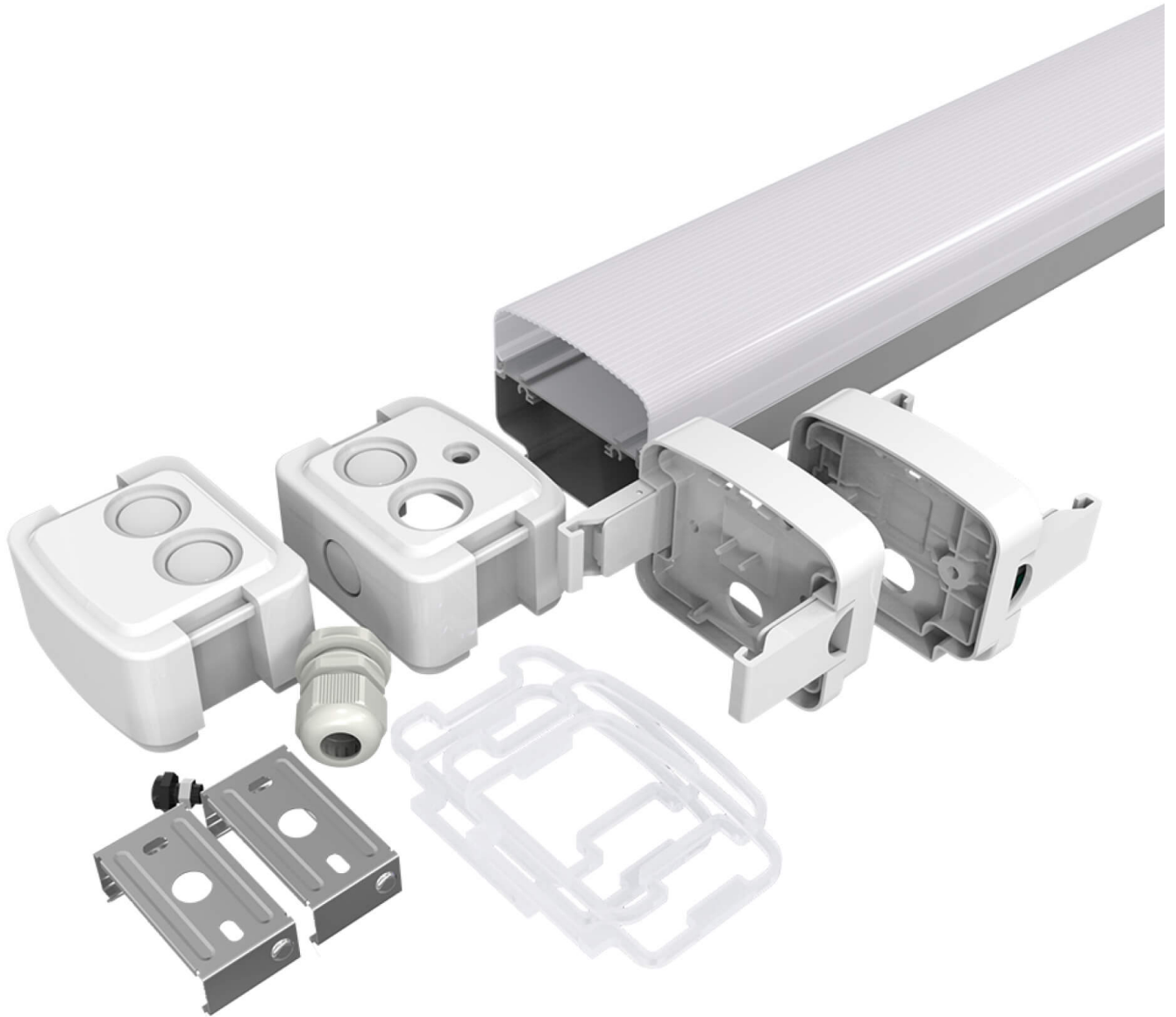


When it comes to outdoor lighting, the **IP65 rated LED fixtures** stand out as a crucial choice for ensuring durability and performance. But what exactly does an IP65 rating mean, and why should you prioritize it for your outdoor lighting needs? In this article, we will delve into the significance of IP65 ratings and how they can enhance your outdoor lighting solutions.



## Understanding IP Ratings

The term "IP" stands for "Ingress Protection," which is a standard that defines the level of protection against solid objects and liquids. The first digit indicates protection against solid particles, while the second digit indicates protection against water. An IP65 rating signifies that the fixture is completely dust-tight and can withstand water jets from any direction. This level of protection is essential for outdoor environments where exposure to the elements is inevitable.

## Why Choose IP65 Rated LED Fixtures?

There are several compelling reasons to opt for **IP65 rated LED fixtures** for your outdoor lighting needs:

- **Durability:** These fixtures are designed to withstand harsh weather conditions, including rain, snow, and dust storms.
- **Longevity:** With robust construction, IP65 rated fixtures typically have a longer lifespan compared to standard fixtures.
- **Safety:** The water-resistant feature reduces the risk of electrical failures, making them safer for outdoor use.
- **Versatility:** They can be used in various outdoor settings, from residential gardens to industrial sites.

## Applications of IP65 Rated LED Fixtures

IP65 rated LED fixtures are versatile and can be utilized in numerous applications. Here are some common uses:

1. **Parking Lots:** Ensuring safety and visibility in outdoor parking areas.
2. **Building Exteriors:** Highlighting architectural features while providing security lighting.
3. **Industrial Areas:** Ideal for warehouses and factories where exposure to dust and moisture is common.
4. **Outdoor Events:** Providing reliable lighting for festivals, concerts, and gatherings.

## Choosing the Right IP65 Rated LED Fixtures

When selecting **IP65 rated LED fixtures**, consider the following factors:

- **Brightness:** Ensure the lumens output meets your lighting requirements.
- **Color Temperature:** Choose between warm or cool white light based on your preference.
- **Design:** Select a style that complements your outdoor space.
- **Energy Efficiency:** Look for fixtures that offer high energy efficiency to reduce electricity costs.

For a wide range of high-quality **IP65 rated LED fixtures**, you can explore options available at [. These fixtures are designed to meet the rigorous demands of outdoor environments.](#)

## Conclusion

In conclusion, investing in **IP65 rated LED fixtures** is essential for anyone looking to enhance their outdoor lighting solutions. With their superior protection against dust and water, these fixtures not only ensure safety but also provide long-lasting performance. By understanding the importance of IP ratings, you can make informed decisions that will benefit your outdoor spaces for years to come.