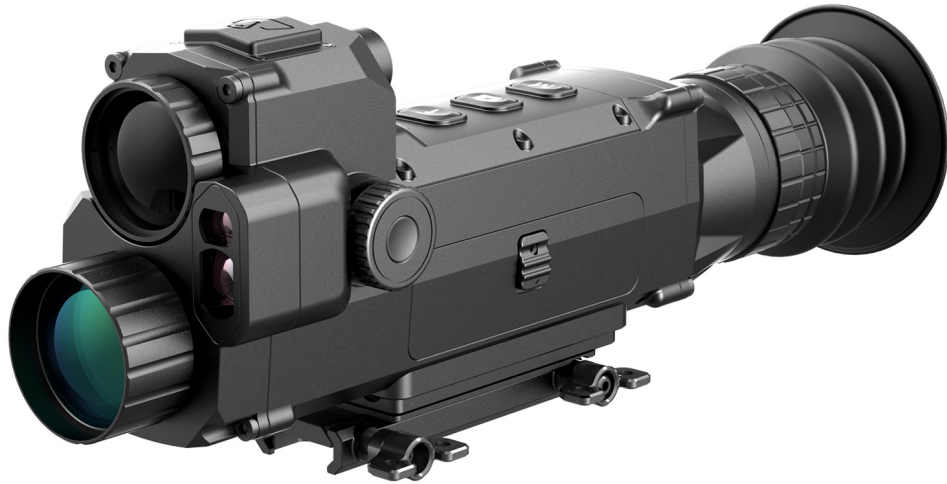


From its origins to its current state, it has undergone many significant changes [military grade rifle scope with target highlighting](#).

When it comes to precision shooting, having the right equipment is paramount. One of the most critical components for achieving accuracy is a **military grade rifle scope with target highlighting**. These scopes are designed to provide unparalleled clarity, durability, and precision, making them indispensable for both military and civilian shooters.



Understanding Military Grade Rifle Scopes

Military grade rifle scopes are engineered to meet the rigorous demands of combat and tactical operations. They are built with robust materials to withstand harsh environments and are equipped with advanced optics to ensure clear visibility in various lighting conditions. But what sets them apart is the *target highlighting* feature, which enhances the shooter's ability to identify and engage targets with precision.

Key Features of Military Grade Rifle Scopes

- **Durability:** Constructed with high-quality materials to endure extreme conditions.
- **Advanced Optics:** Provides clear and sharp images, even at long distances.
- **Target Highlighting:** Enhances target visibility, making it easier to acquire and engage.
- **Adjustability:** Offers various settings to adapt to different shooting scenarios.

Top Military Grade Rifle Scopes with Target Highlighting

There are several top-tier military grade rifle scopes available in the market that offer exceptional target highlighting capabilities. Here, we will discuss some of the best options that stand out for their performance and reliability.

1. Trijicon ACOG 4x32 Scope

The **Trijicon ACOG 4x32 Scope** is renowned for its durability and optical clarity. It features a battery-free illuminated reticle that automatically adjusts brightness based on available light. This scope is ideal for both short and long-range shooting, making it a versatile choice for various applications.

"The Trijicon ACOG 4x32 Scope is a game-changer in the field of precision shooting. Its target highlighting feature ensures that you never miss a shot." - Expert Review

2. Nightforce ATACR 5-25x56 F1

The **Nightforce ATACR 5-25x56 F1** is another top contender, known for its exceptional magnification range and crystal-clear optics. It includes a first focal plane reticle that remains consistent at all magnification levels, ensuring precise target highlighting and engagement.

"Nightforce ATACR 5-25x56 F1 offers unmatched precision and clarity, making it a favorite among professional shooters." - Tactical Gear Review

Benefits of Target Highlighting in Rifle Scopes

The **target highlighting** feature in military grade rifle scopes provides several advantages:

1. **Improved Accuracy:** Enhances the shooter's ability to precisely identify and engage targets.
2. **Faster Target Acquisition:** Reduces the time needed to locate and aim at targets.
3. **Enhanced Visibility:** Ensures clear target visibility in various lighting conditions.

Conclusion

Investing in a **military grade rifle scope with target highlighting** can significantly enhance your shooting accuracy and performance. Whether you are a professional shooter or an enthusiast, these scopes offer the reliability and precision needed for successful target engagement. Explore the options available and choose the one that best suits your needs.

For more information on military grade rifle scopes, check out this [video review](#).

References

- [military grade rifle scope with target highlighting](#)