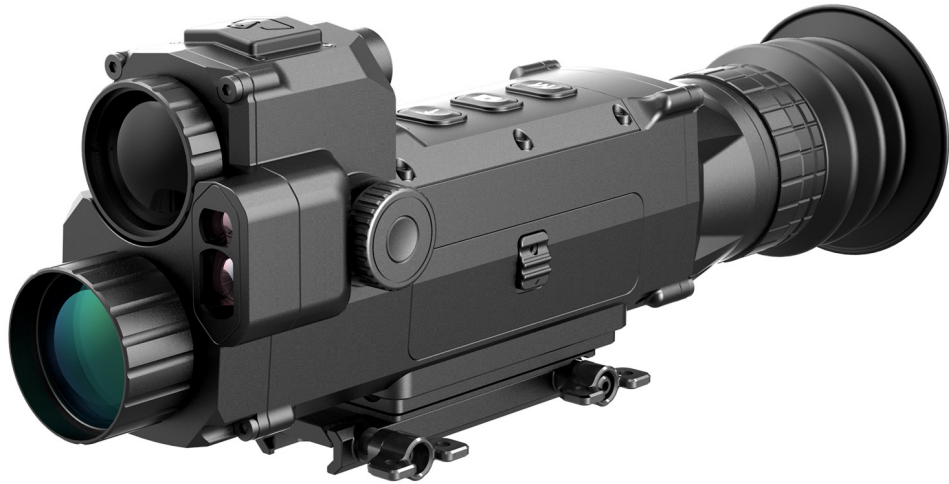


Maybe little things are changing the world [compact and durable rifle scope for hunting](#).

When it comes to hunting, having the right rifle scope can make all the difference. A compact and durable rifle scope is essential for ensuring accuracy and precision in the field. In this article, we will explore the 5 must-have features that every hunter should look for when choosing a rifle scope for their hunting adventures.



1. Optical Clarity and Precision

One of the most important features of a rifle scope is its optical clarity and precision. A high-quality scope should provide a clear and sharp image of the target, allowing the hunter to make accurate shots. Look for features such as multi-coated lenses, which reduce glare and improve light transmission, and adjustable magnification for precision at different distances. A scope with excellent optical clarity and precision will greatly enhance your hunting experience.

2. Durability and Weather Resistance

When out in the field, your rifle scope will be exposed to various weather conditions and rough handling. Therefore, durability and weather resistance are crucial features to look for. A compact and durable rifle scope should be constructed from high-quality materials that can withstand impact and recoil. Additionally, it should be nitrogen-purged and O-ring sealed to ensure it is fog-proof, waterproof, and shockproof, allowing you to hunt in any weather conditions without compromising performance.

3. Compact and Lightweight Design

A compact and lightweight rifle scope is essential for hunters who need to move quickly and quietly through the wilderness. Look for a scope that is designed to be sleek and lightweight, without sacrificing durability and performance. A compact design will also ensure that the scope does not add unnecessary bulk and weight to your rifle, making it easier to handle and maneuver in the field.

4. Reticle Options and Adjustability

The reticle of a rifle scope plays a crucial role in aiming and targeting. Look for a scope that offers a variety of reticle options to suit different hunting scenarios, such as illuminated reticles for low-light conditions or bullet drop compensating reticles for long-range shooting. Additionally, the scope should have easy and precise adjustability for windage and elevation, allowing you to make quick and accurate adjustments in the field without any hassle.

5. Long Battery Life and Reliable Power Source

For hunters using scopes with illuminated reticles or other electronic features, long battery life and a reliable power source are essential. Look for a scope that uses a common and easily replaceable battery type, and ensure that it has a long battery life to last through extended hunting trips without needing frequent replacements. A reliable power source will ensure that your rifle scope is always ready for action when you need it.

In conclusion, a compact and durable rifle scope with optical clarity and precision, durability and weather resistance, a compact and lightweight design, versatile reticle options and adjustability, and long battery life and a reliable power source are the 5 must-have features that every hunter should prioritize when choosing a rifle scope for their hunting adventures. By selecting a scope with these essential features, hunters can enhance their accuracy, performance, and overall hunting experience in the field.

References

- [compact and durable rifle scope for hunting](#)