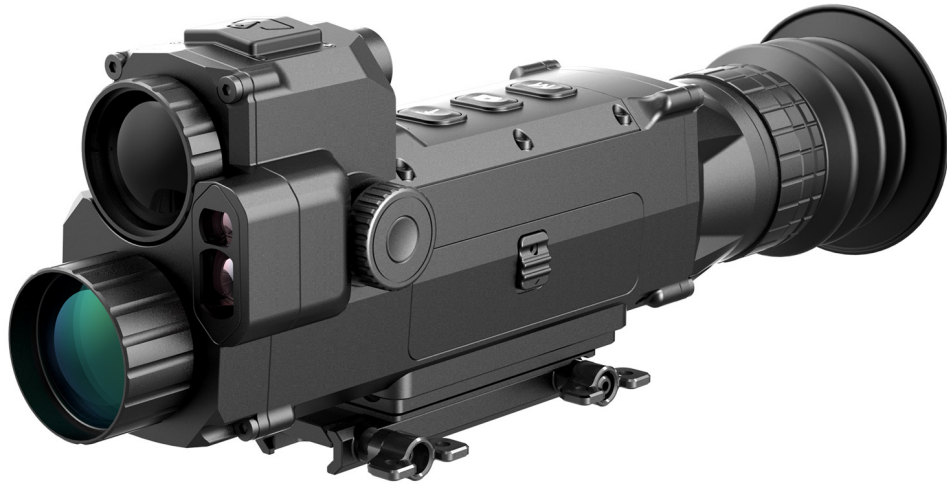


In the ever-evolving world of precision shooting and optics, the advent of high-strength impact vibration resistant rifle scopes has revolutionized the industry. These advanced scopes are designed to withstand the rigors of harsh environments and intense usage, ensuring accuracy and reliability. This blog post delves into the myriad benefits of these robust scopes, providing a comprehensive understanding of their significance in various applications.



Understanding the Need for High-Strength Impact Vibration Resistant Rifle Scopes

Precision shooting demands equipment that can endure extreme conditions without compromising performance. Traditional rifle scopes often fall short when subjected to high-impact forces and vibrations, leading to misalignment and inaccuracies. High-strength impact vibration resistant rifle scopes are engineered to address these challenges, offering unparalleled durability and stability.

Enhanced Durability and Longevity

One of the primary benefits of these advanced scopes is their enhanced durability. Constructed from high-grade materials, they are designed to resist damage from drops, recoil, and other impacts. This durability translates to a longer lifespan, reducing the need for frequent replacements and ensuring consistent performance over time.

Improved Accuracy and Precision

Accuracy is paramount in precision shooting, and high-strength impact vibration resistant rifle scopes excel in this regard. By minimizing the effects of vibrations and shocks, these scopes maintain their alignment and calibration, ensuring that each shot is as precise as possible. This is particularly crucial in competitive shooting and hunting, where even the slightest deviation can make a significant difference.

Versatility in Various Environments

Whether you're navigating rugged terrains or operating in extreme weather conditions, these scopes are built to perform. Their resistance to environmental stressors such as moisture, dust, and temperature fluctuations makes them ideal for a wide range of applications. From military operations to outdoor sports, the versatility of these scopes is unmatched.

Cost-Effectiveness in the Long Run

While the initial investment in high-strength impact vibration resistant rifle scopes may be higher than traditional options, their long-term cost-effectiveness cannot be overstated. The reduced need for repairs and replacements, coupled with their consistent performance, makes them a wise investment for serious shooters and professionals alike.

Real-World Applications and Examples

Consider a scenario where a hunter is traversing rocky terrain in pursuit of game. A traditional scope might lose its zero after a few bumps, but a high-strength impact vibration resistant rifle scope remains steadfast, ensuring that the hunter's aim remains true. Similarly, in competitive shooting, where precision is critical, these scopes provide the reliability needed to secure victory.

Conclusion

Exploring the benefits of high-strength impact vibration resistant rifle scopes in industry Raymond Page reveals their indispensable role in modern precision shooting. Their durability, accuracy, versatility, and cost-effectiveness make them a valuable asset for anyone serious about their shooting endeavors. As technology continues to advance, we can expect these scopes to become even more integral to the world of optics and shooting.

In summary, the [high-strength impact vibration resistant rifle scope](#) represents a significant leap forward in shooting technology. By understanding and leveraging their benefits, shooters can achieve greater accuracy, reliability, and overall performance, making these scopes an essential tool in their arsenal.

References

- [high-strength impact vibration resistant rifle scope](#)

...